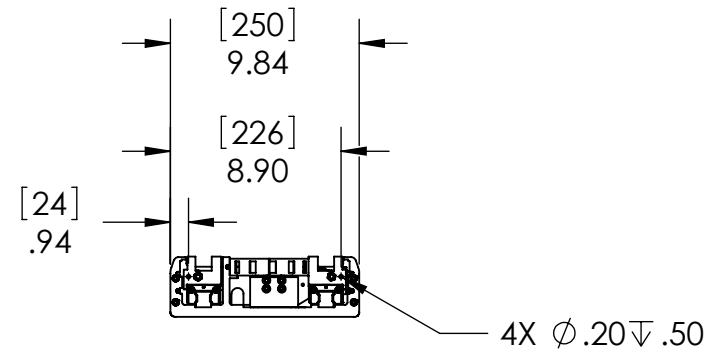
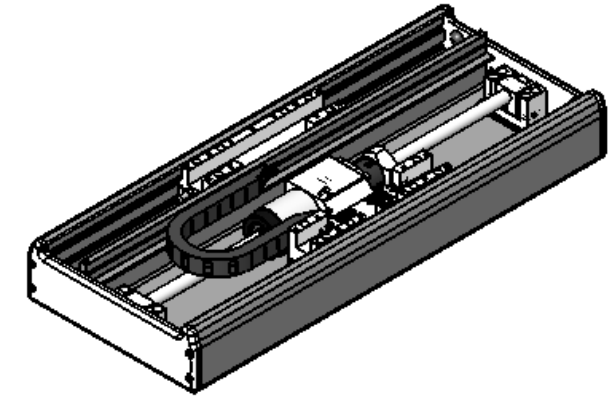
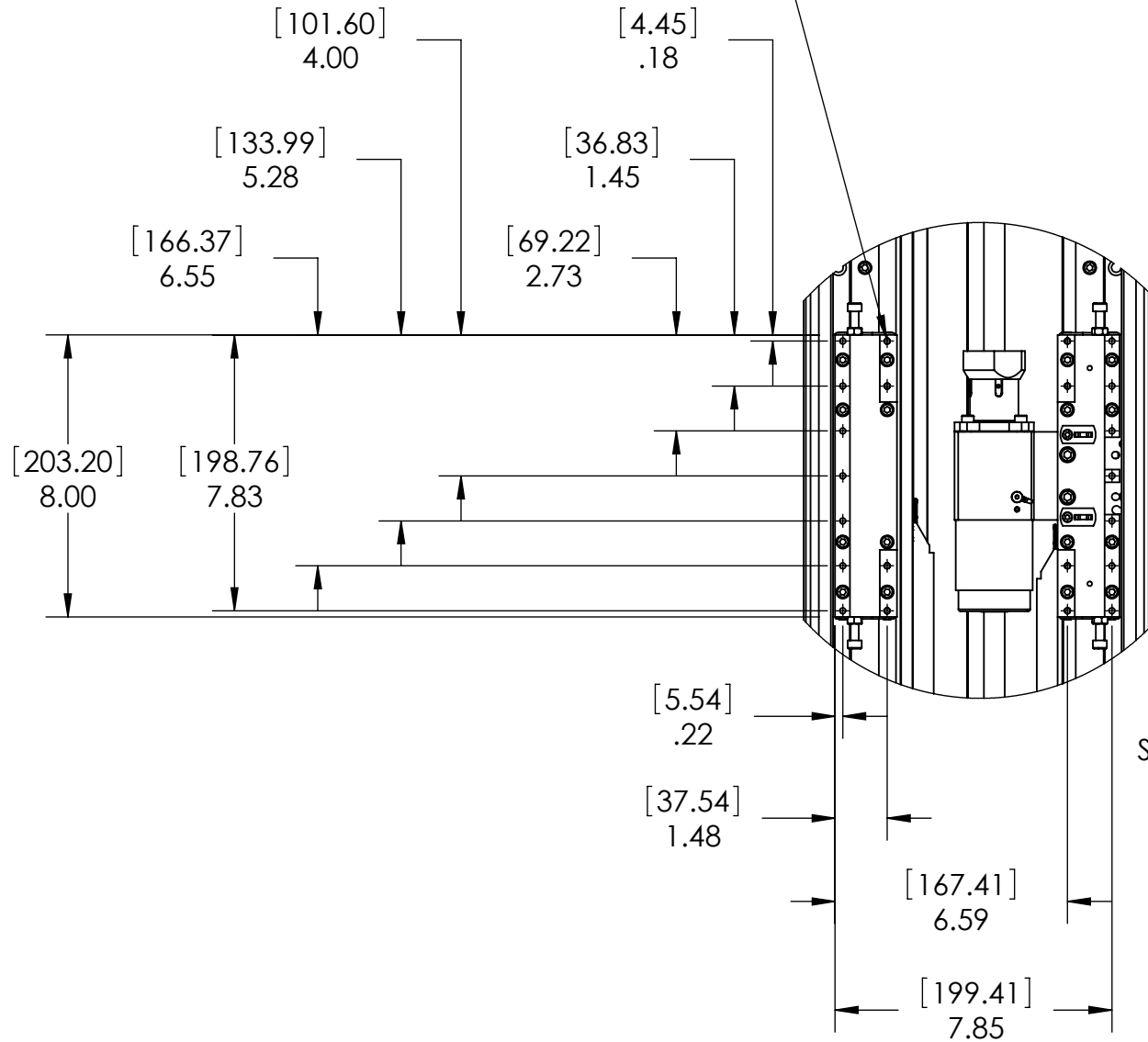


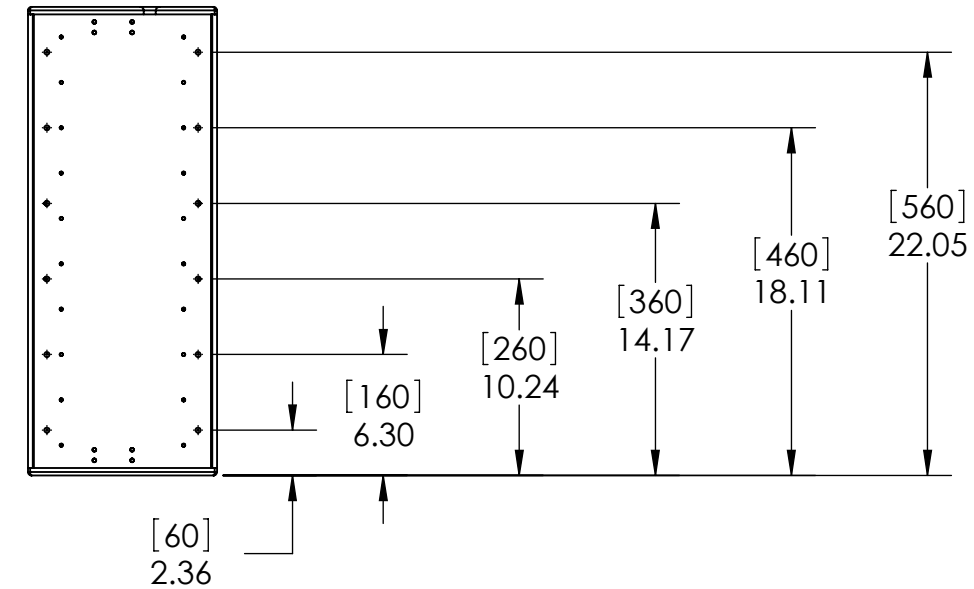
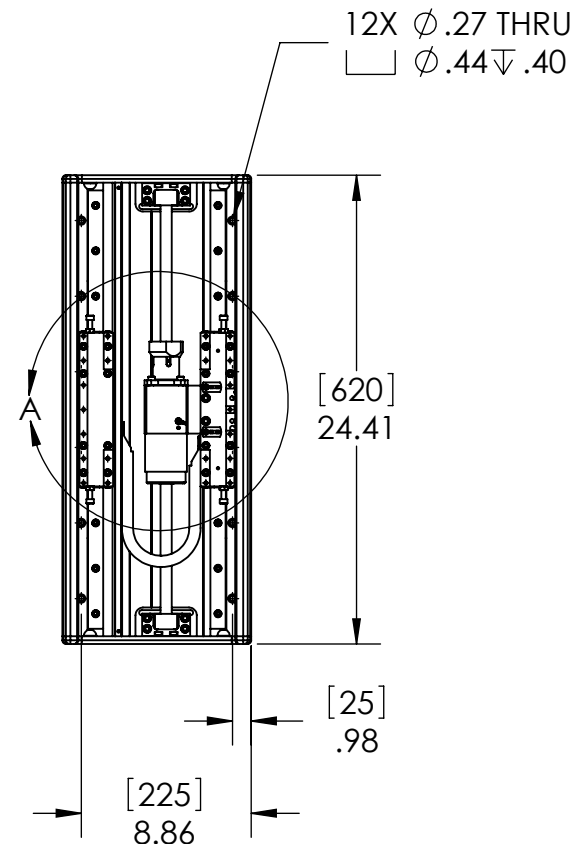
THE INFORMATION CONTAINED IN THIS DRAWING IS THE SOLE PROPERTY OF BELL-EVERMAN, INC. ANY REPRODUCTION IN PART OR WHOLE WITHOUT THE WRITTEN PERMISSION OF BELL-EVERMAN, INC. IS PROHIBITED.



22X Ø .17 ±.40
M5X0.8 - 6H ±.39



DETAIL A
SCALE 1 : 5



DIMENSIONS ARE IN INCHES UNLESS OTHERWISE SPECIFIED.
TOLERANCES ARE:
ANGULAR: ± .5°
BREAK CORNERS: .005-.020
FILLET RADII: .005-.020

DECIMAL INCH TOL:
.X ±.1
.XX ±.01
.XXX ±.005
.XXXX ±.0005



82 Aero Camino, Goleta, CA 93117
(805) 685-1029 FAX: (805) 685-6787

TITLE
LOWBOY SERVONUT GENERIC

SIZE B	DRAWING NO.	REV -
-----------	-------------	----------

SCALE: 1:8

SHEET 1 OF 1