

KAOS OEM-L & -LS Dual Axis

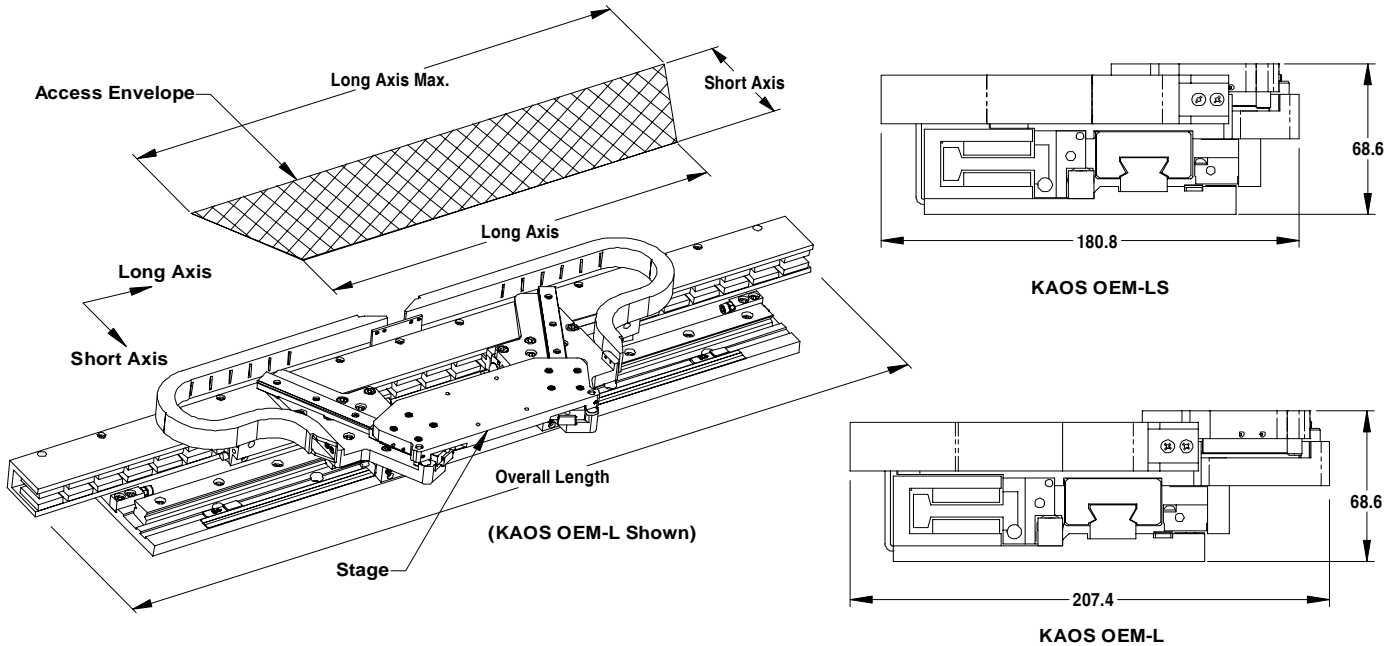


Bell-Everman, Inc.

82 Aero Camino, Goleta, CA (805) 685-1029

www.bell-everman.com

Low Profile Minimum Mass Dual Axis Linear Motor Stage
 OEM-L 100mm short axis stroke & OEM-LS 50mm stroke
 Grand Prize winner - Design News Excellence in Design Award



Ordering Part Number: KAOS OEM-L-LENGTH

Basic Designator	Length Designator	Max Long Axis Travel mm	Min Long Axis Travel mm	Short Axis Travel mm	Overall Length mm
	460	276	174	102	610
	520	337	235	102	671
	580	398	296	102	732
	640	458	356	102	792
	700	519	417	102	853
	760	580	478	102	914
KAOS OEM-L	820	641	539	102	975
	880	702	600	102	1036
	940	763	661	102	1097
	1000	824	722	102	1158
	1060	885	783	102	1219
	1120	946	844	102	1280
	1180	1007	905	102	1341
	1240	1068	966	102	1402

Ordering Part Number: KAOS OEM-LS-LENGTH

Basic Designator	Length Designator	Max Long Axis Travel mm	Min Long Axis Travel mm	Short Axis Travel mm	Overall Length mm
	460	286	235	51	488
	520	347	296	51	549
	580	408	357	51	610
	640	469	418	51	671
	700	530	479	51	732
	760	590	539	51	792
KAOS OEM-LS	820	651	600	51	853
	880	712	661	51	914
	940	773	722	51	975
	1000	834	783	51	1036
	1060	895	844	51	1097
	1120	956	905	51	1158
	1180	1017	966	51	1219
	1240	1078	1027	51	1280

OEM-L Series	Payload kg (lb)		
Accelerations*	0.9 (2)	2.3 (5)	4.5 (10)
Long-axis (g)	3.3 [10.3]	2.3 [7.2]	1.6 [4.8]
Short-axis (g)	3.0 [9.7]	1.7 [5.3]	0.9 [3.0]

*Continuous (Peak in brackets)

OEM-LS Series	Payload kg (lb)		
Accelerations*	0.2 (0.5)	0.9 (2)	2.3 (5)
Long-axis (g)	2.2 [10.7]	1.6 [8.0]	1.1 [5.3]
Short-axis (g)	2.3 [12.8]	1.2 [6.9]	0.6 [3.6]

*Continuous (Peak in brackets)

See the KAOS OEM-M spec for a KAOS Dual Axis with two bearing rails on the long axis (larger load capability)

Specify encoder option (0.1 to 1 μm resolution available)

Longer lengths are available