

LowBoy Linear Axis

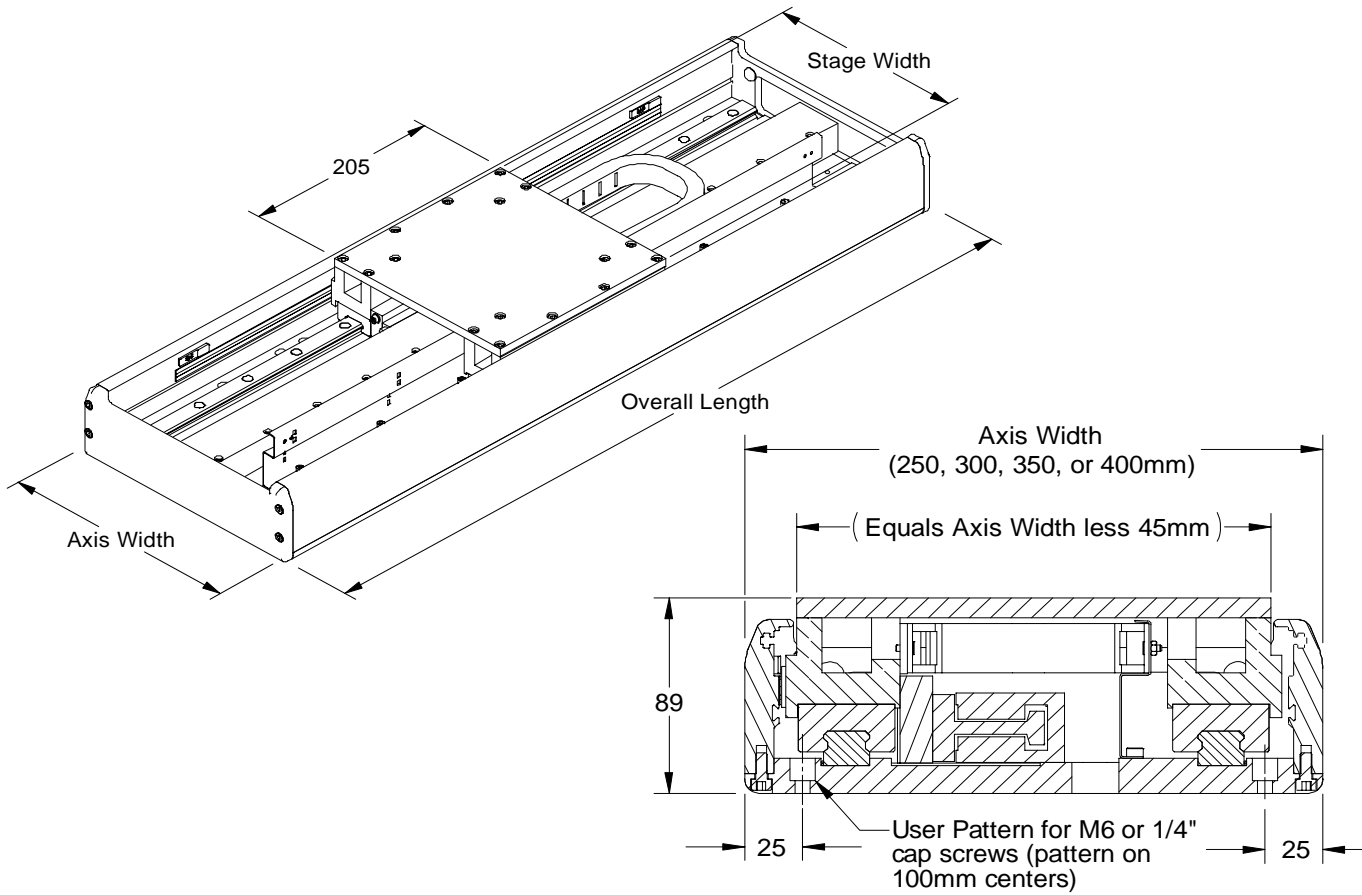
Full-Featured Scalable-Width Precision Linear Motor Axis



Bell-Everman, Inc.

82 Aero Camino, Goleta, CA (805) 685-1029

www.bell-everman.com



Ordering Part Number: LBL-LENGTH-WIDTH-MOTOR

| Basic Designator | Length Designator | Width Designator | Motor Designator | Travel * mm | Overall Length mm |
|------------------|-------------------|------------------|------------------|-------------|-------------------|
| | 280 | | | 75 | 320 |
| | 340 | | | 135 | 380 |
| | 400 | | | 195 | 440 |
| | 460 | | | 255 | 500 |
| | 520 | | | 315 | 560 |
| | 580 | | | 375 | 620 |
| | 640 | | | 435 | 680 |
| | 700 | | | 495 | 740 |
| | 760 | | | 555 | 800 |
| LBL | 820 | | | 615 | 860 |
| | 880 | 250, 300, | 22, 23, 24, | 675 | 920 |
| | 940 | 350 or | 32, 33, or | 735 | 980 |
| | 1000 | 400 | 34 | 795 | 1040 |
| | 1060 | | | 855 | 1100 |
| | 1120 | | | 915 | 1160 |
| | 1180 | | | 975 | 1220 |
| | 1240 | | | 1035 | 1280 |
| | 1300 | | | 1095 | 1340 |
| | 1360 | | | 1155 | 1400 |
| 1420 | | | 1215 | 1460 | |
| 1480 | | | 1275 | 1520 | |
| 1540 | | | 1335 | 1580 | |
| 1600 | | | 1395 | 1640 | |

Typical Axial Force

| Motor | Force N | |
|-------|---------|------|
| | Peak | Cont |
| 22 | 134 | 59 |
| 23 | 200 | 78 |
| 24 | 267 | 97 |
| 32 | 289 | 109 |
| 33 | 334 | 159 |
| 34 | 396 | 164 |

*Subtract 60mm from travel for 24 and 34 motors

See the LowBoy Servonut spec for an identical stage using the Servonut instead of a linear motor

Specify encoder option (0.1 to 1 μm resolution available)

Longer lengths and wider widths are available