

# Servonut Power Module

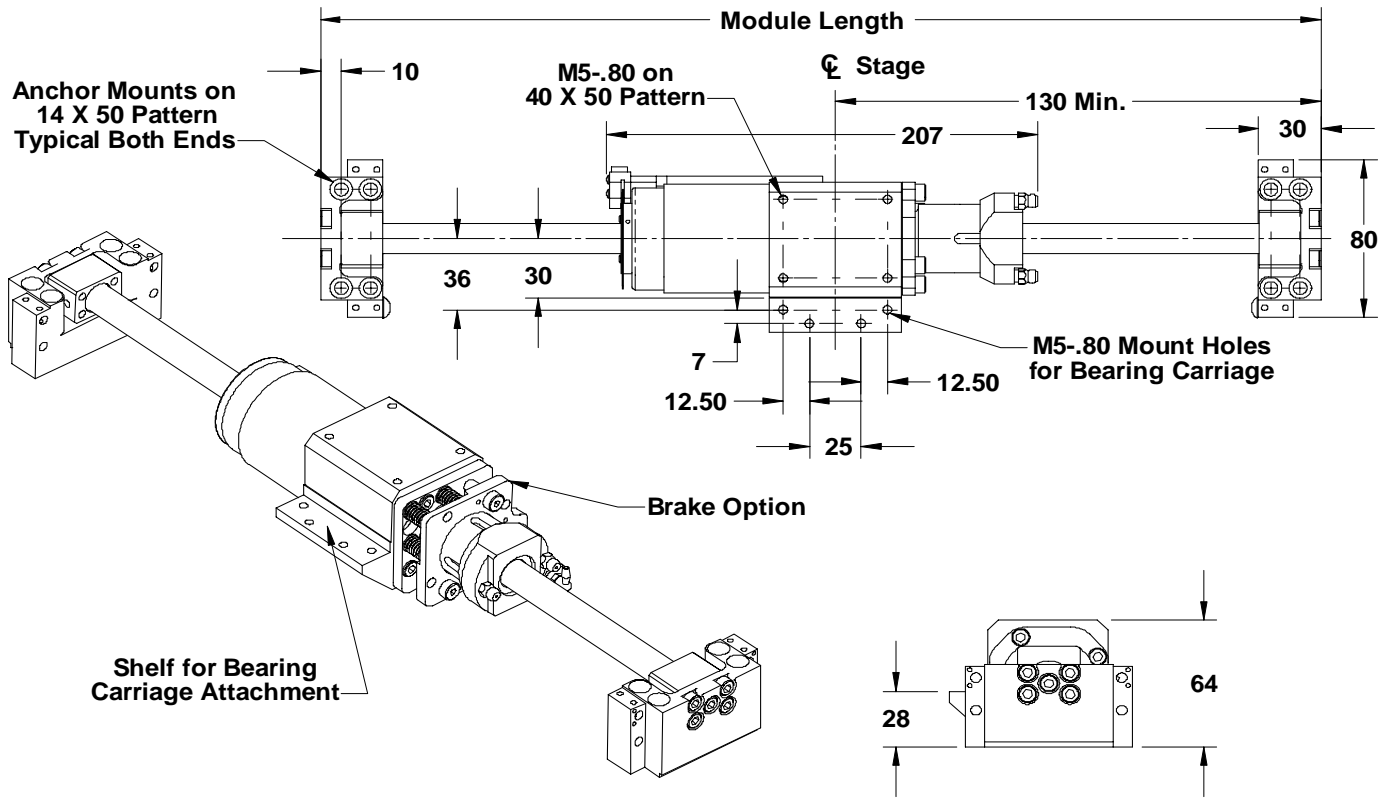
Zero Backlash Driven-Nut Ballscrew Drive



**Bell-Everman, Inc.**

82 Aero Camino, Goleta, CA (805) 685-1029

www.bell-everman.com



## Ordering Part Number: SPM23-LENGTH-LEAD-MOTOR

Basic Designator	Length Designator	Lead Designator	Motor Designator	Travel * in mm (01-02-03 Motor)	Module Length mm	Maximum Speed ** m/s			
						5mm Lead	10mm Lead	16mm Lead	40mm Lead
SPM23	340			138 - 119 -100	360	0.33	0.67	1.07	2.67
	400			198 - 179 -160	420	0.33	0.67	1.07	2.67
	460			258 - 239 -220	480	0.33	0.67	1.07	2.67
	520			318 - 299 -280	540	0.33	0.67	1.07	2.67
	580			378 - 359 -340	600	0.33	0.67	1.07	2.67
	640			438 - 419 -400	660	0.33	0.67	1.07	2.54
	700			498 - 479 -460	720	0.33	0.67	1.02	2.11
	760	5,10,16, or 20	01, 02, or 03	558 - 539 -520	780	0.33	0.67	0.86	1.78
	820			618 - 599 -580	840	0.33	0.67	0.73	1.53
	880			678 - 659 -640	900	0.33	0.64	0.64	1.32
	940			738 - 719 -700	960	0.33	0.56	0.56	1.15
	1000			798 - 779 -760	1020	0.33	0.49	0.49	1.02
	1060			858 - 839 -820	1080	0.33	0.43	0.43	0.90
	1120			918 - 899 -880	1140	0.33	0.39	0.39	0.81
	1180			978 - 959 -940	1200	0.33	0.35	0.35	0.73
	1240			1038 - 1019 -1000	1260	0.32	0.32	0.32	0.66

## Typical Axial Force

Lead mm	Motor	Force N	
		Peak	Cont.
5	01	5150	830
5	02	6000	1200
5	03	6000	1570
10	01	2570	410
10	02	4230	600
10	03	4330	780
16	01	1600	260
16	02	2640	370
16	03	2700	490
40	01	640	105
40	02	1050	150
40	03	1080	195

\*Without rotary encoder (subtract 12mm for encoder option)

\*\*Maximum speed is the minimum of either the critical speed or the speed with the motor running at 4000rpm (the critical speed only applies near mid-travel and can be safely exceeded in almost all cases due to the precision of the Servonut)

See the Servonut OEM-L & OEM-M spec for an SPM that is fully integrated with energy chains, limits, and a linear encoder option

Specify with or without rotary encoder option, brake option (pneumatic or electric), and integrated limits

Longer lengths are available