

SuperZ

MacroFlexure™ Precision Stage

Patent Pending



Bell-Everman, Inc.

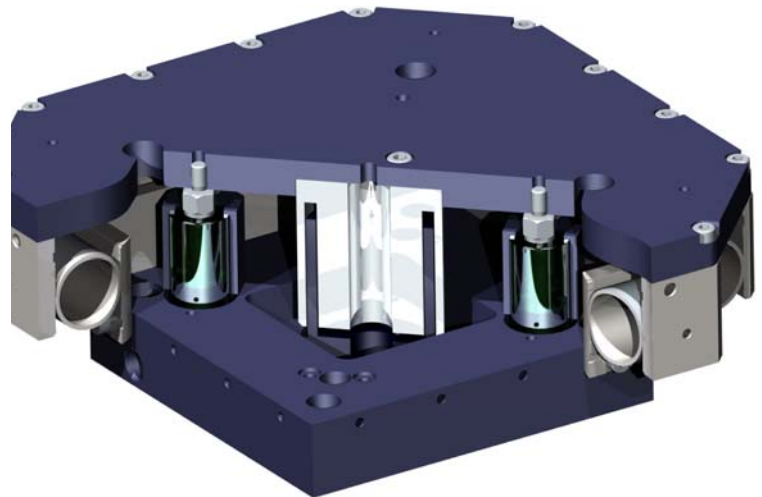
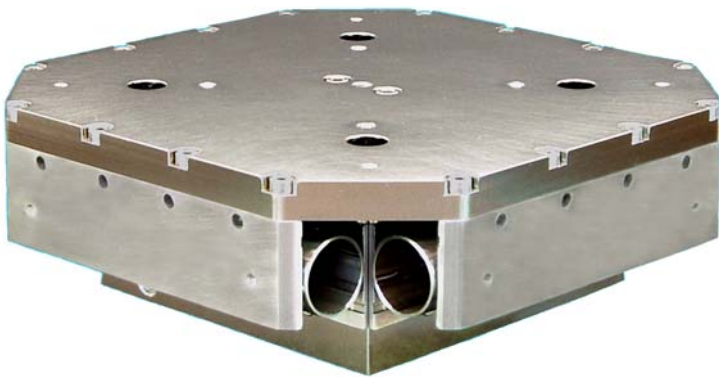
82 Aero Camino, Goleta, CA 805.685.1029

www.bell-everman.com

ADVANTAGES

◆ The SuperZ MacroFlexure stage provides **accuracy and repeatability** in a low profile package that requires no lubrication. The stage has unparalleled straightness of travel for metrology and light mechanical processes. **Linear encoders** provide position feedback in resolutions to 10nm.

◆ A **voice-coil** is the prime mover, making this an entirely non-contact system that will not generate particles, and is inherently vacuum compatible. **Airpel® counterbalance cylinders** are provided for atmospheric applications.



FEATURES

- Geometric accuracy 1.0 μ m TIR (or better) at any point on stage (at 20°C)
- Tip and Tilt throughout travel as low as 1 arc-sec TIR
- Resolution as low as .01 μ m
- Standard Travel of 10mm
- Will operate horizontally
- All structural parts are either nickel plated or stainless steel
- Fully configurable with other Bell-Everman axes
- Stage top plate easily configured to your specification

Bell-Everman, Inc.

SuperZ

MacroFlexure™ Precision Stage
Patent Pending

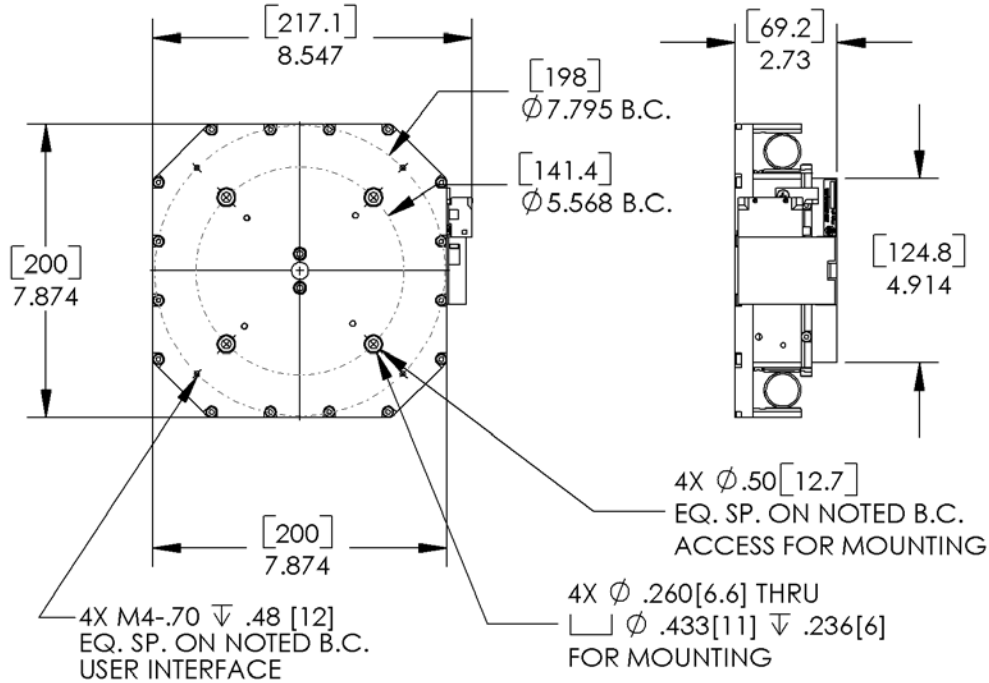


Bell-Everman, Inc.

82 Aero Camino, Goleta, CA 805.685.1029

www.bell-everman.com

ENVELOPE



SPECIFICATIONS

Ordering Part Number: **SZ200-10-VC**

Performance

Resolutions available, μm	1, 0.5, 0.1, 0.05, 0.02, 0.01, Analog
Repeatability, μm	± 0.25
Accuracy, μm	1*
Tip/Tilt, full travel, arcsec	$< \pm 0.5$

*Full Range, after thermal correction

⇒ When ordering specify encoder option

Mechanical Data

Moving Mass, kg	2
Friction, N	< 0.1

Motor Data

Force N (lb.)	
Peak	Continuous
53 (12)	31 (7)

See www.bell-everman.com for an electronic version of this tech-sheet.

Bell-Everman, Inc.