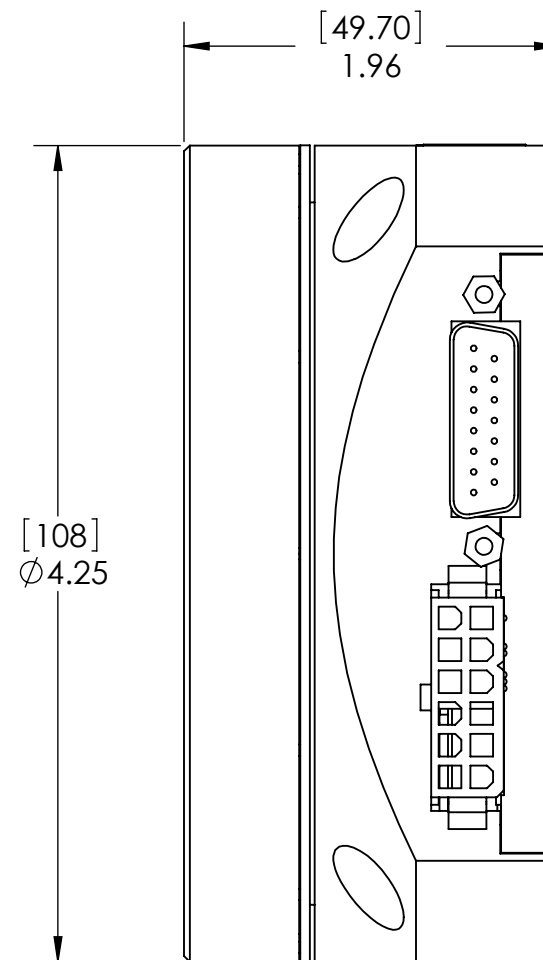
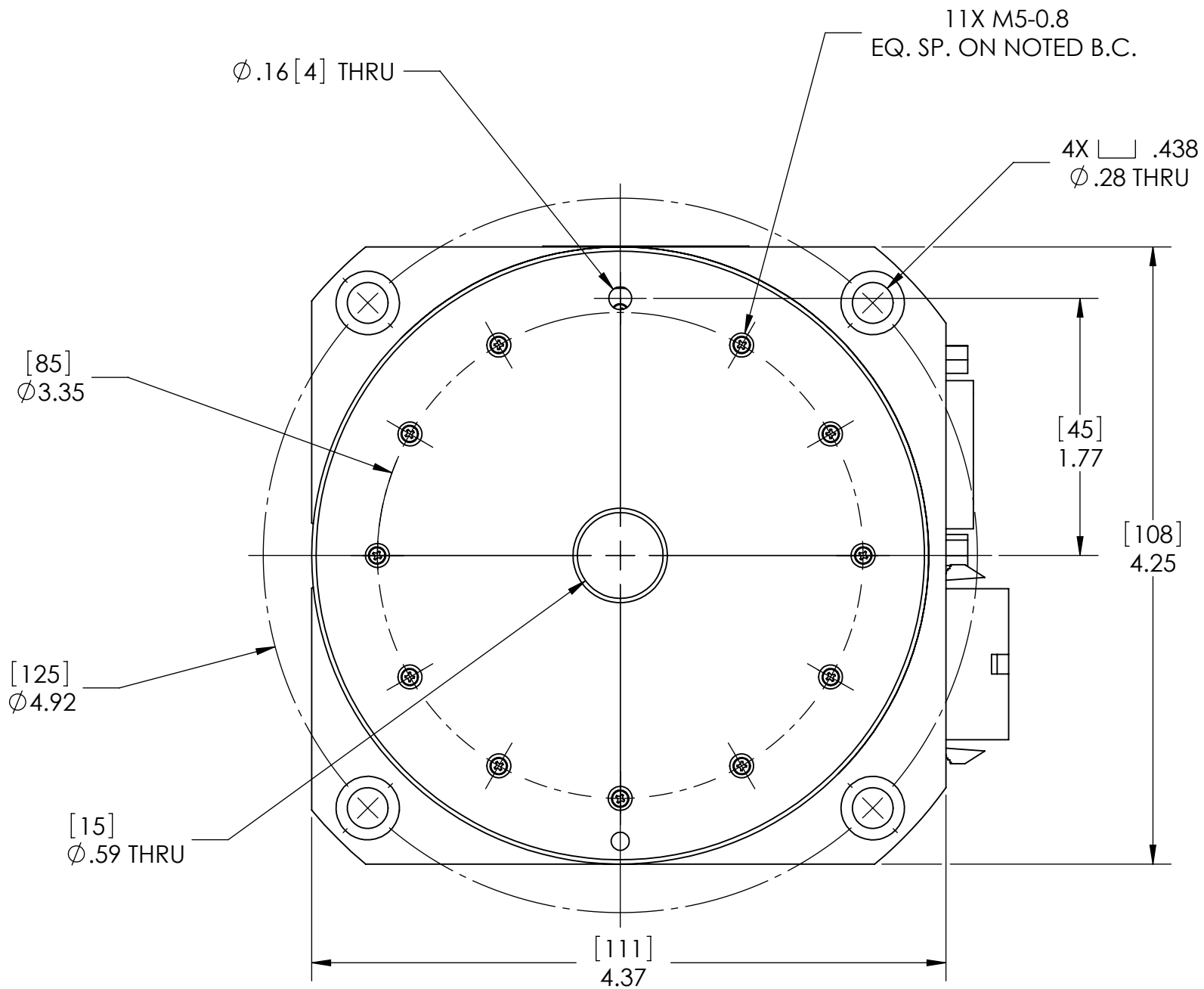
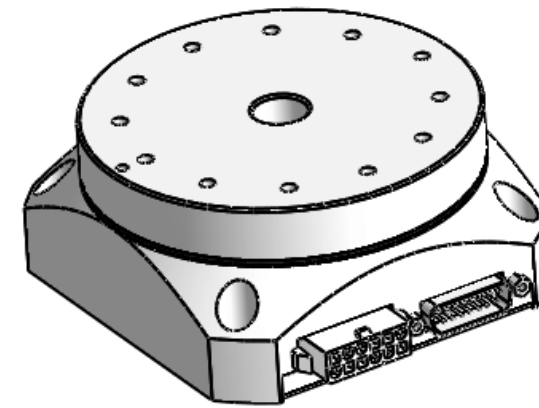


THE INFORMATION CONTAINED IN THIS DRAWING IS THE SOLE PROPERTY OF BELL-EVERMAN, INC. ANY REPRODUCTION IN PART OR WHOLE WITHOUT THE WRITTEN PERMISSION OF BELL-EVERMAN, INC. IS PROHIBITED.



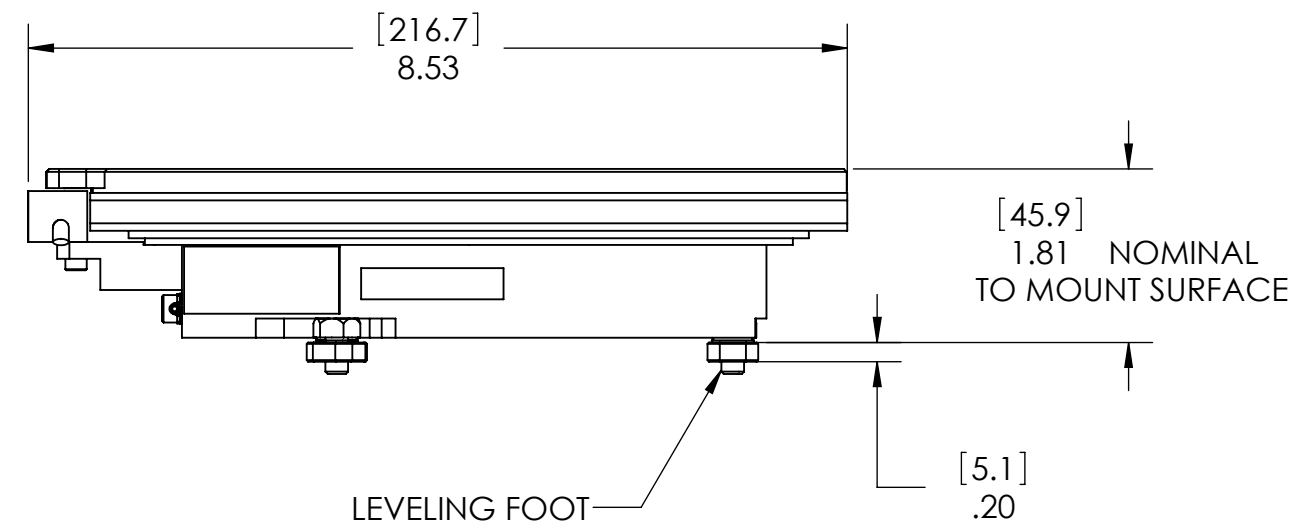
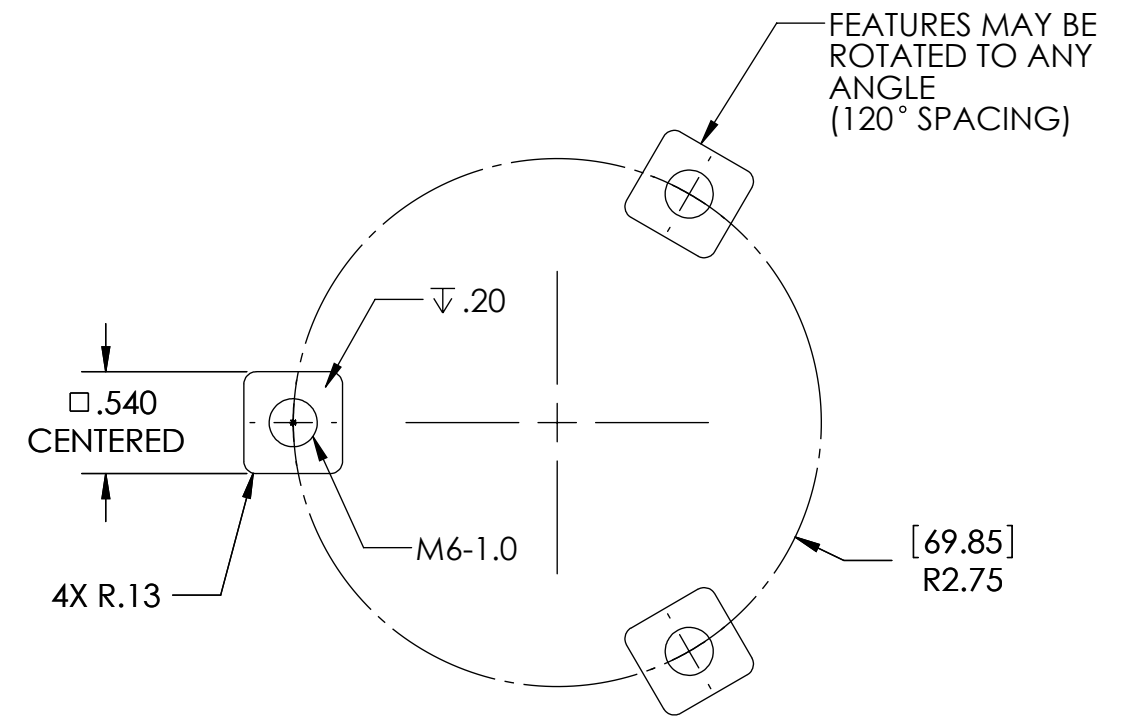
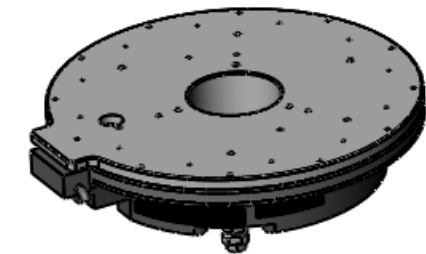
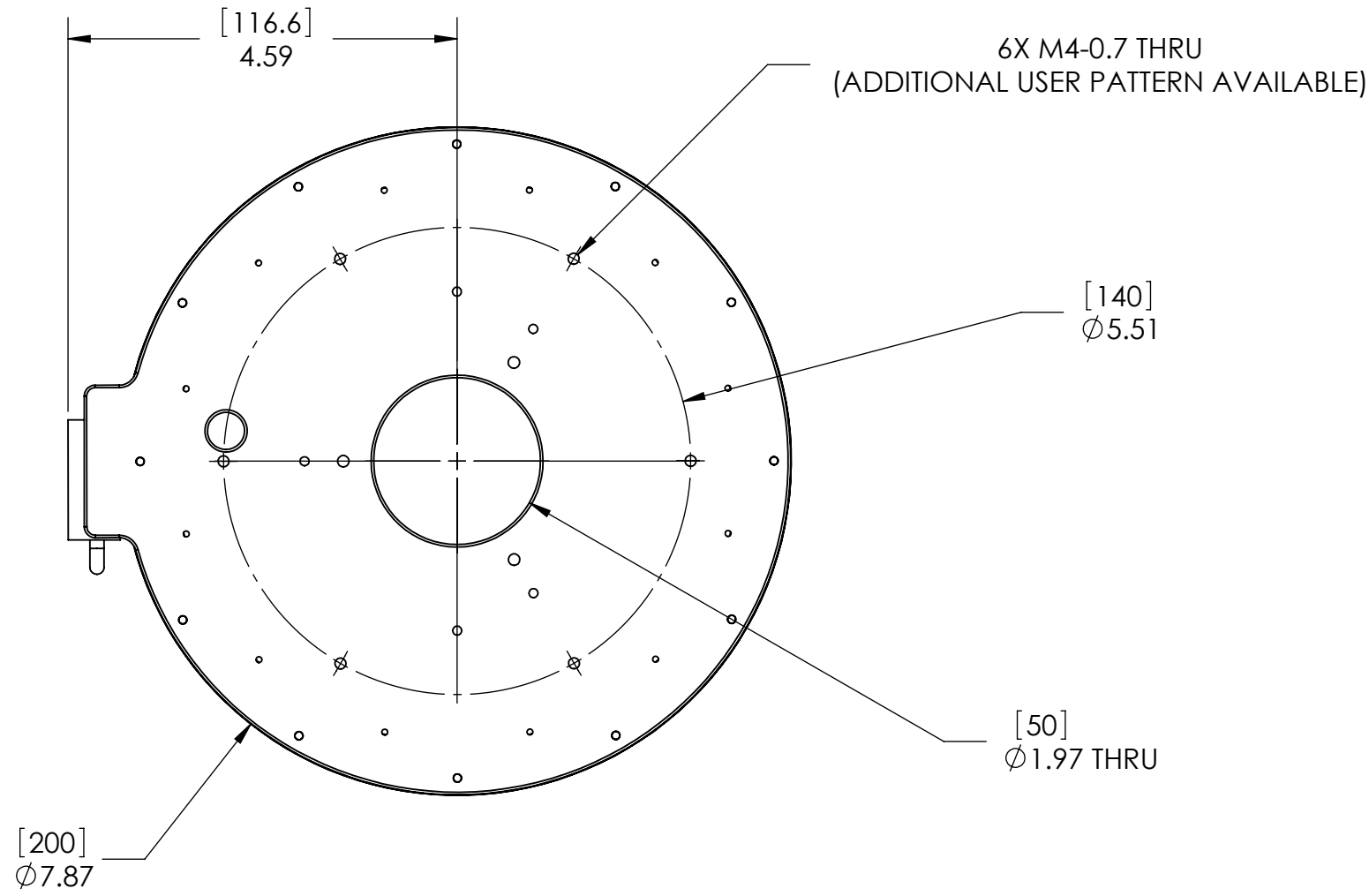
DIMENSIONS ARE IN INCHES UNLESS OTHERWISE SPECIFIED.
 TOLERANCES ARE: DECIMAL INCH TOL: X $\pm .1$
 .XX $\pm .01$
 .XXX $\pm .005$
 .XXXX $\pm .0005$
 ANGULAR: $\pm .5^\circ$
 BREAK CORNERS: .005-.020
 FILLET RADII: .005-.020




82 Aero Camino, Goleta, CA 93117
 (805) 685-1029 FAX: (805) 685-6787

TITLE		DDT-100	
SIZE	DRAWING NO.	REV	
B		-	
SCALE: 2:3		SHEET 1 OF 1	

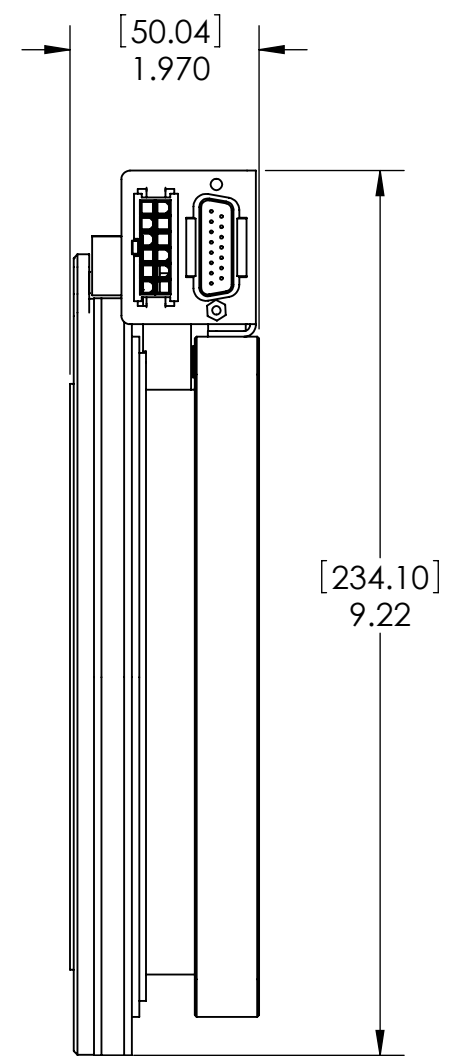
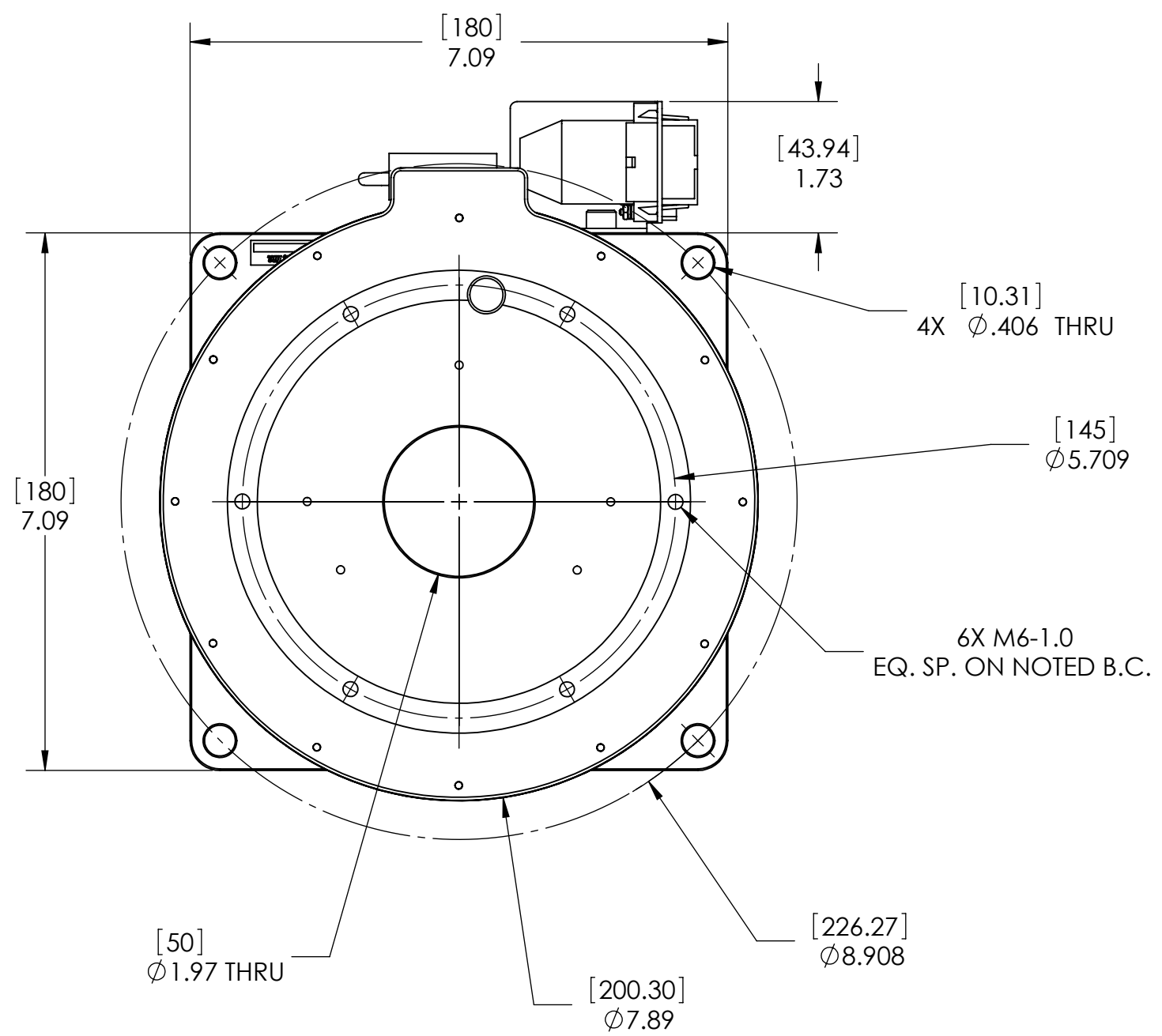
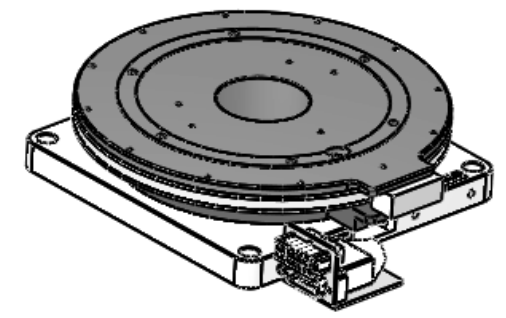
THE INFORMATION CONTAINED IN THIS DRAWING IS THE SOLE PROPERTY OF BELL-EVERMAN, INC. ANY REPRODUCTION IN PART OR WHOLE WITHOUT THE WRITTEN PERMISSION OF BELL-EVERMAN, INC. IS PROHIBITED.




DIMENSIONS ARE IN INCHES UNLESS OTHERWISE SPECIFIED.
 TOLERANCES ARE: DECIMAL INCH TOL: X $\pm .1$
 .XX $\pm .01$
 .XXX $\pm .005$
 .XXXX $\pm .0005$
 ANGULAR: $\pm .5^\circ$
 BREAK CORNERS: .005-.020
 FILLET RADII: .005-.020

		82 Aero Camino, Goleta, CA 93117 (805) 685-1029 FAX: (805) 685-6787	
TITLE		DDT-200	
SIZE	DRAWING NO.	REV	
B		-	
SCALE: 1:2		SHEET 1 OF 1	

THE INFORMATION CONTAINED IN THIS DRAWING IS THE SOLE PROPERTY OF BELL-EVERMAN, INC. ANY REPRODUCTION IN PART OR WHOLE WITHOUT THE WRITTEN PERMISSION OF BELL-EVERMAN, INC. IS PROHIBITED.



DIMENSIONS ARE IN INCHES UNLESS OTHERWISE SPECIFIED.
 TOLERANCES ARE: DECIMAL INCH TOL: .X ±.1
 .XX ±.01
 .XXX ±.005
 .XXXX ±.0005
 ANGULAR: ± .5°
 BREAK CORNERS: .005-.020
 FILLET RADII: .005-.020

		82 Aero Camino, Goleta, CA 93117 (805) 685-1029 FAX: (805) 685-6787	
TITLE		DDT-200MT	
SIZE	DRAWING NO.	REV	
B		-	
SCALE: 1:2		SHEET 1 OF 1	