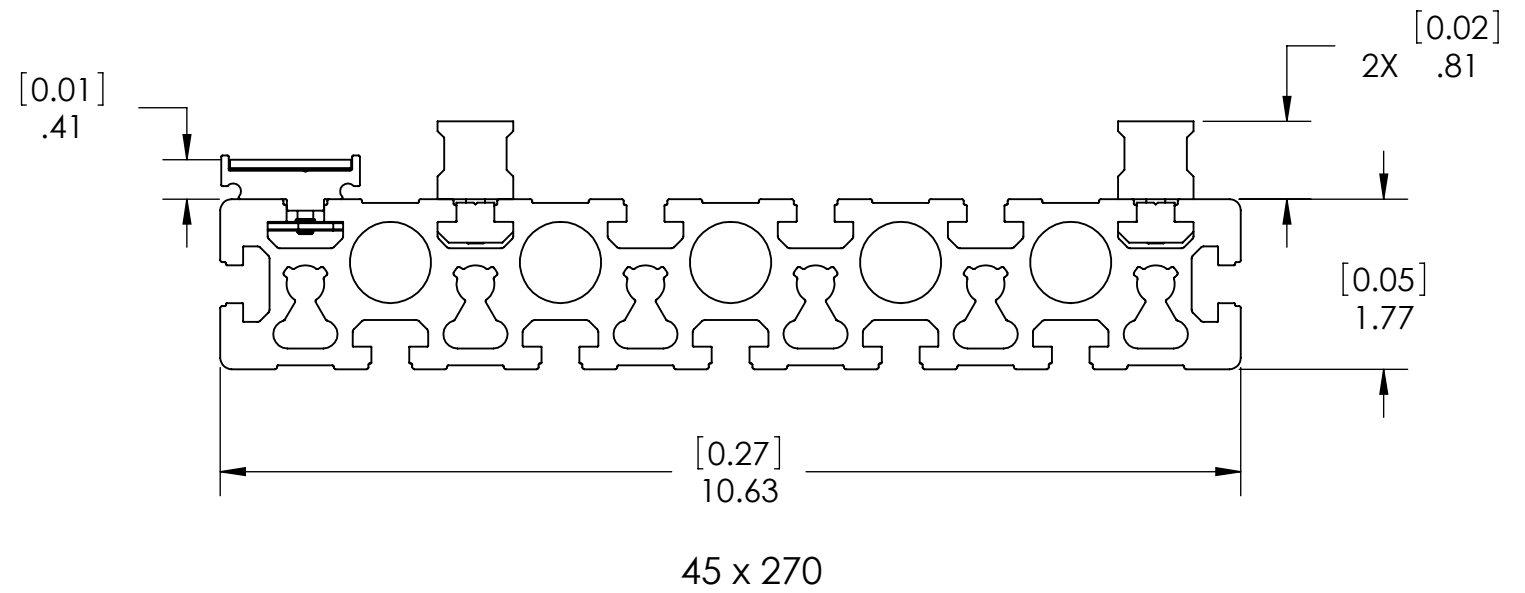
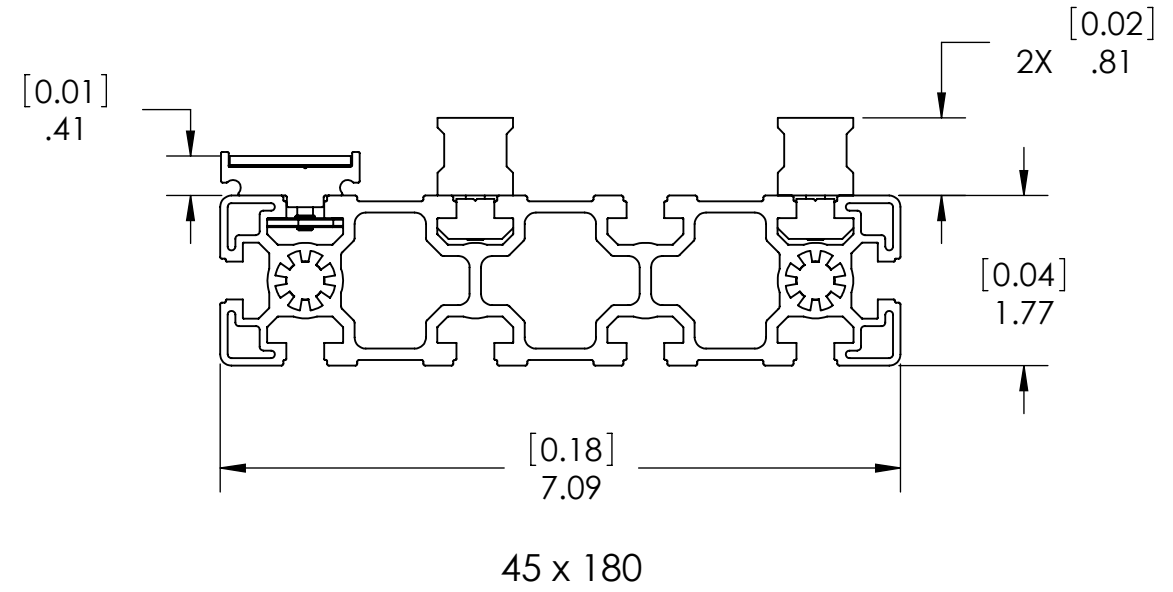
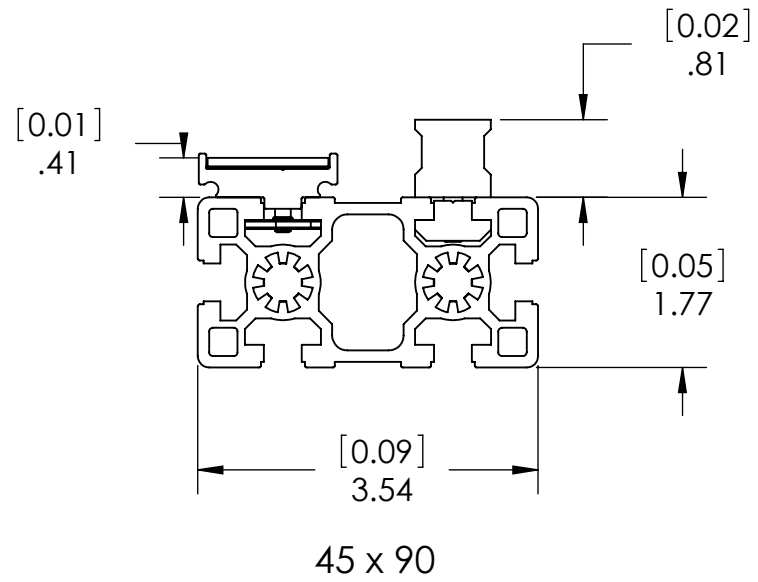


THE INFORMATION CONTAINED IN THIS DRAWING IS THE SOLE PROPERTY OF BELL-EVERMAN, INC. ANY REPRODUCTION IN PART OR WHOLE WITHOUT THE WRITTEN PERMISSION OF BELL-EVERMAN, INC. IS PROHIBITED.



DIMENSIONS ARE IN INCHES UNLESS OTHERWISE SPECIFIED.
 TOLERANCES ARE: DECIMAL INCH TOL: .X .1
 .XX .01
 .XXX .005
 .XXXX .0005
 ANGULAR: .5
 BREAK CORNERS: .005-.020
 FILLET RADII: .005-.020



82 Aero Camino, Goleta, CA 93117
 (805) 685-1029 FAX: (805) 685-6787

TITLE		SBL-M 45mm CHASSIS	
SIZE	DRAWING NO.	REV	
B		-	
SCALE: 1:2		SHEET 1 OF 1	