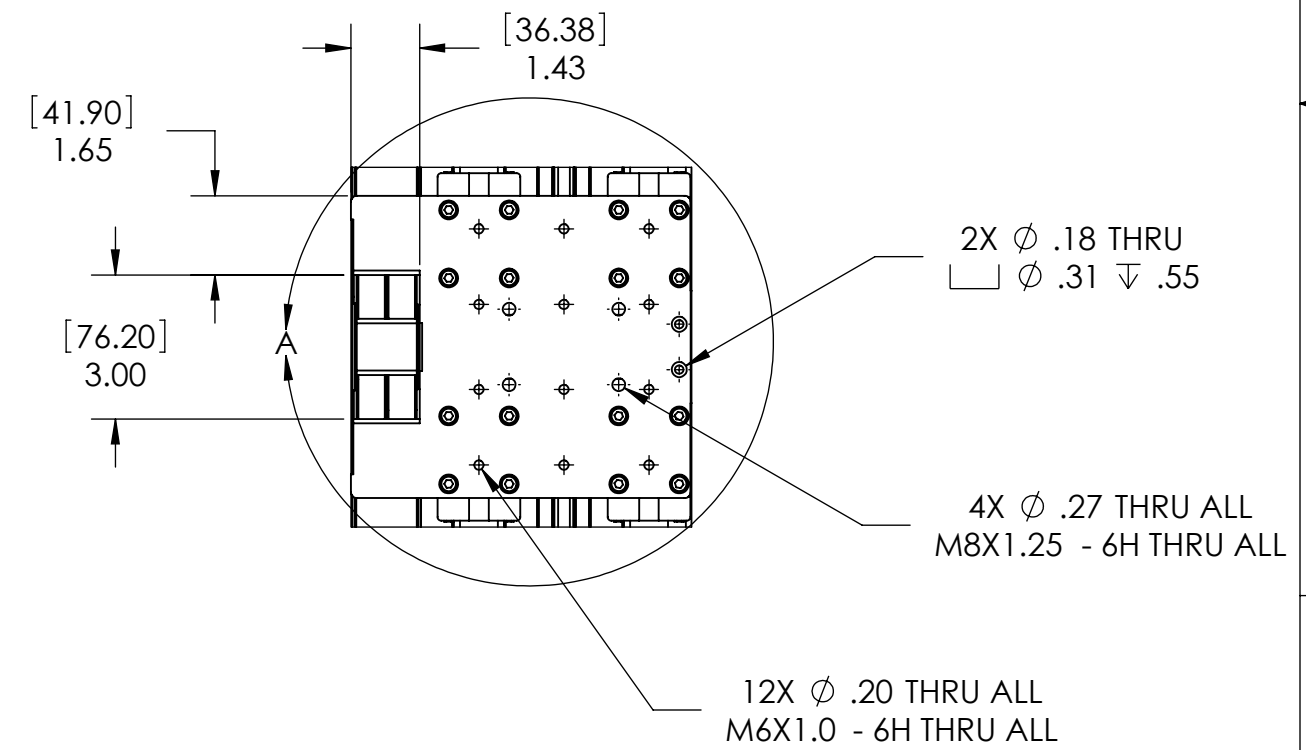
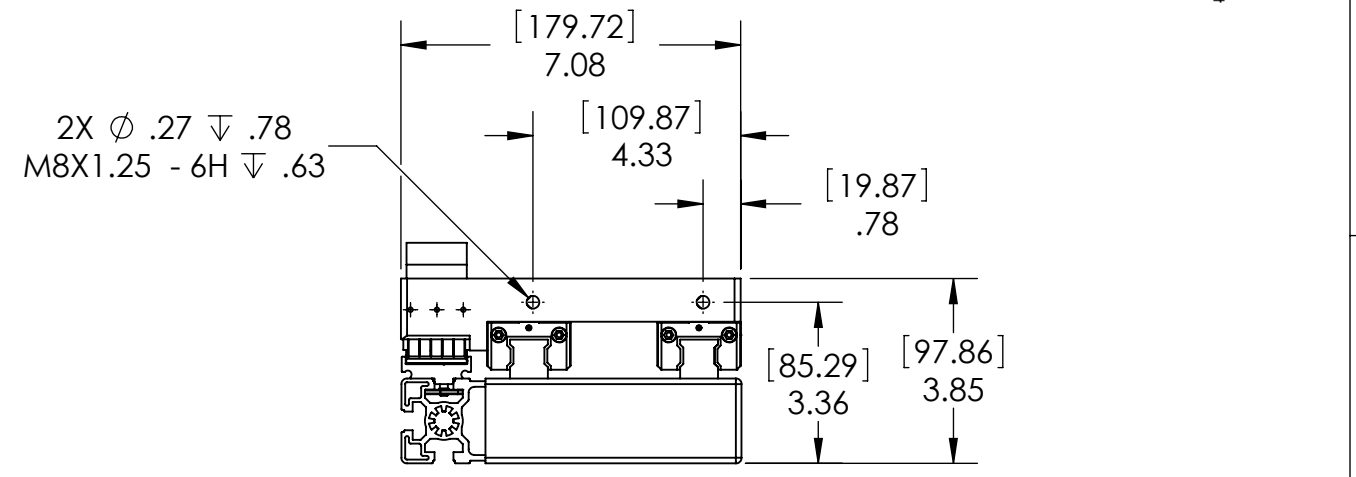
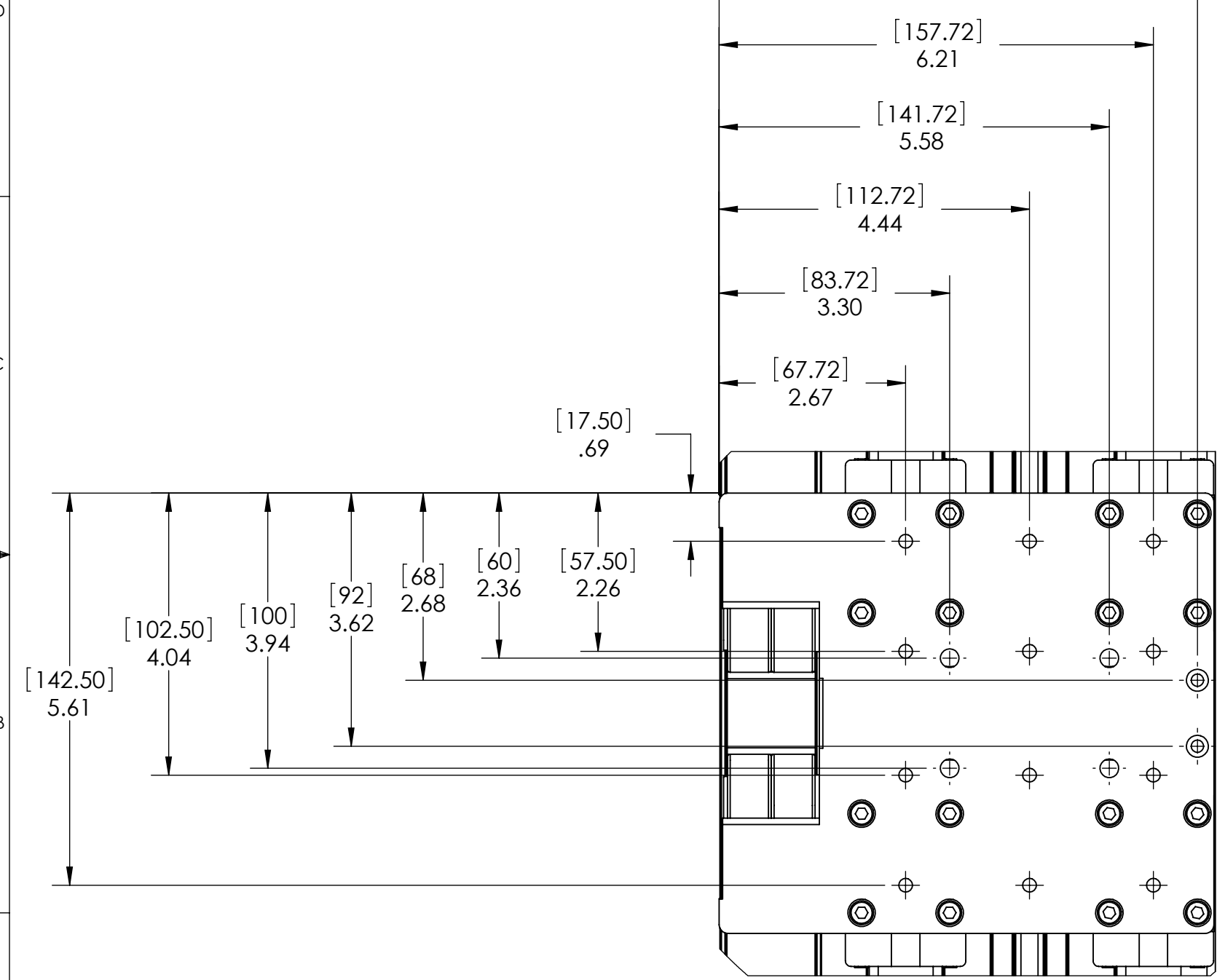
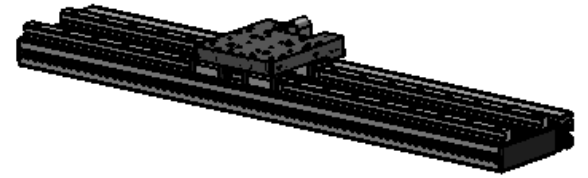


THE INFORMATION CONTAINED IN THIS DRAWING IS THE SOLE PROPERTY OF BELL-EVERMAN, INC. ANY REPRODUCTION IN PART OR WHOLE WITHOUT THE WRITTEN PERMISSION OF BELL-EVERMAN, INC. IS PROHIBITED.



DETAIL A
SCALE 1 : 2



82 Aero Camino, Goleta, CA 93117
(805) 685-1029 FAX: (805) 685-6787

TITLE		SBL-M 45x180 CARRIAGE	
SIZE	DRAWING NO.	REV	
B		-	
SCALE: 1:4		SHEET 1 OF 1	

DIMENSIONS ARE IN INCHES UNLESS OTHERWISE SPECIFIED.
 TOLERANCES ARE: DECIMAL INCH TOL: .X ±.1
 .XX ±.01
 .XXX ±.005
 .XXXX ±.0005
 ANGULAR: ±.5°
 BREAK CORNERS: .005-.020
 FILLET RADII: .005-.020