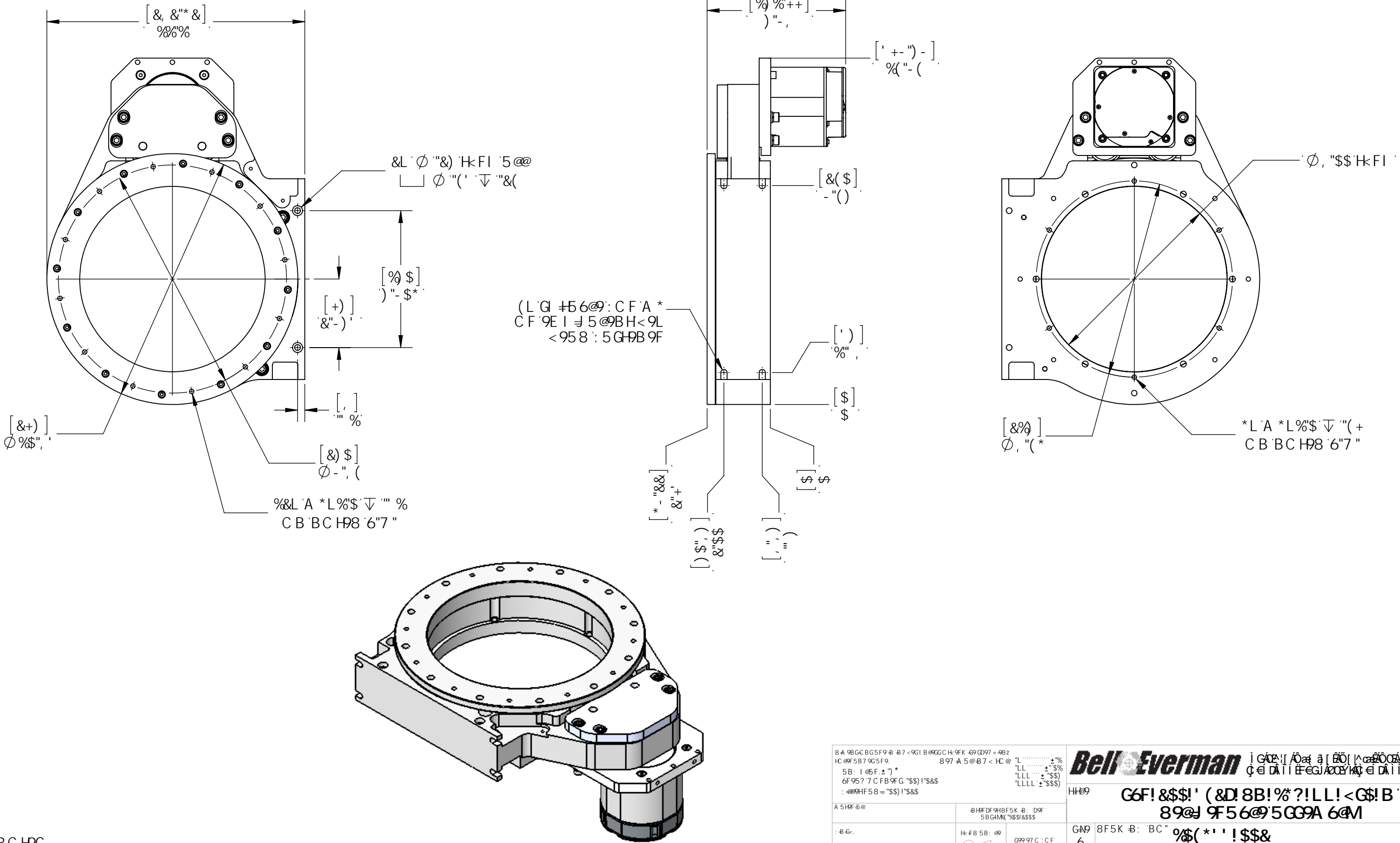


H:9 'B: CFA 5HC B' 7 CBI5 B98 "B" H:6 8F5K B: "G H:9 GC @9 DFCD9FHMC:
69 @9J 9FA 5BZ B7 "5BMF9DFC 81 7HC B" B" D5FHCF "K <C @9 K H:CI H
H:9 K F H9B "D9FA @GC B" C: "69 @9J 9FA 5BZ B7 " "6 DFC <6H98"
8F5K B: "G D9F 7 98 9G 69-G DD@98 9@97 HFC B-7 85H5"
D@95 G9 B C H: M69-C: 5BM8 67 F9D5 B 7 9G"

REVISIONS	
REV	DESCRIPTION/ECO
-	2009 INITIAL RELEASE

8
7
6
5

8
7
6
5



BC H9G

Bell Everman i C&I O& a EO ca 2009 HFI			
G6F!&\$\$!' (&D! 8B!%?!LL!<G\$! B' 89@ 9F56@'5CG9A 6@M			
G49	8F5K B; 'BC"	%\$(*''!\$\$&	F9J
6			!
G7 5 @9 % (G< 99H % c: %	