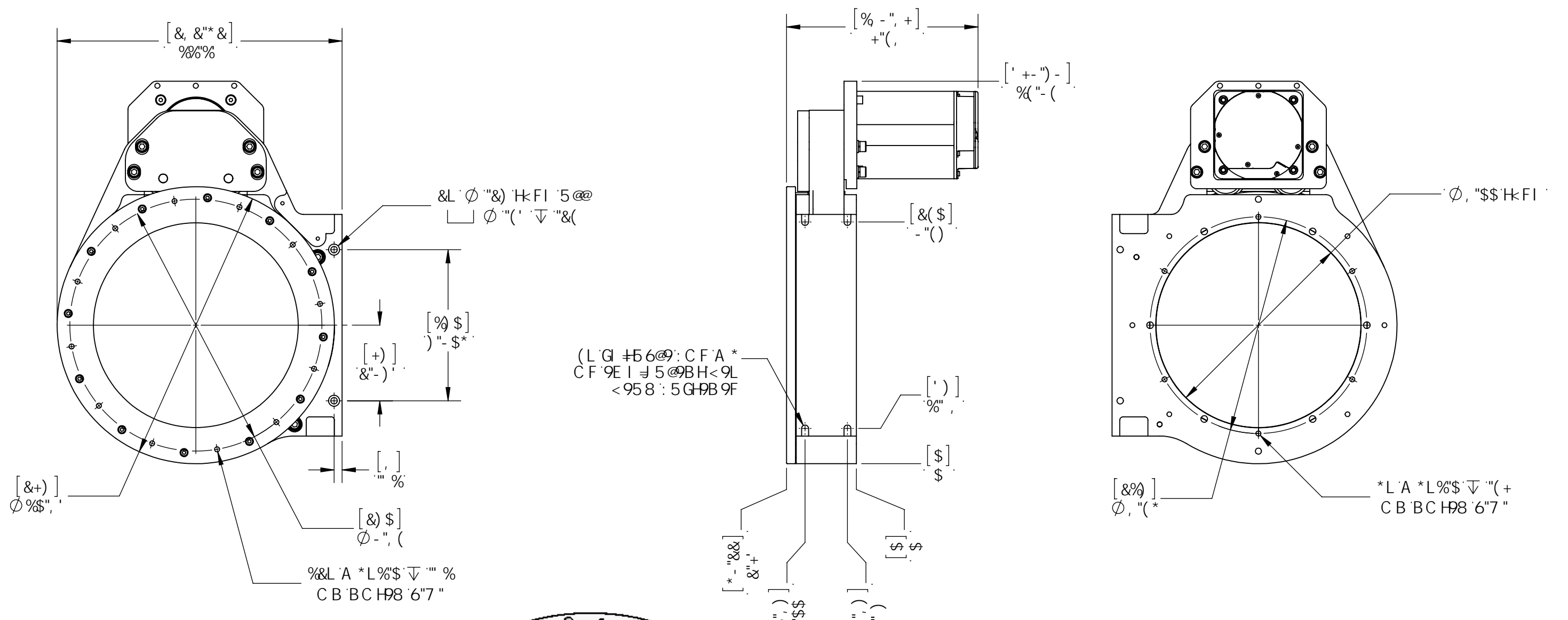


H:9`B:CFA 5HC B`7 CBH5 B98`B`H:G`8F5K`B: `G`H:9`GC`@`DFCD9FHM C:
 69@9J 9FA 5BZ B7`5B MF9DFC 8I 7HC B`B`D5FHCF`K`<C`@`K`H:C I H
 H:9`K`F`H`B`D`9FA`G`C`B`C: `69@9J 9FA 5BZ B7`G`DFC`<`6`H`B`"

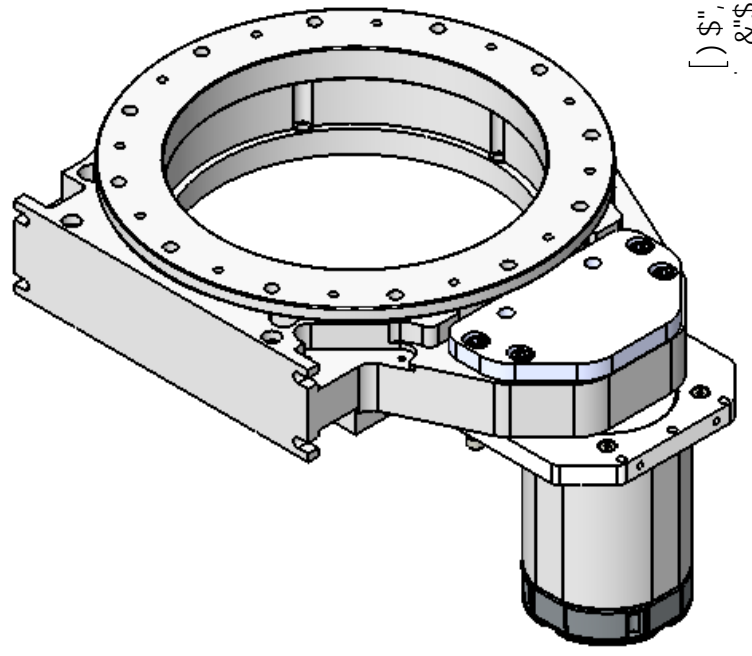
REVISIONS	
REV	DESCRIPTION/ECO
-	2009 INITIAL RELEASE

8F5K`B: `G`D9F7 989G69-G`DD@98`9@7`H`C`B`7`85H5`
 D@95 G9 B C H: M69-C: `5B M8 67 F9D5 B7`9G`

8
7
6
5



8
7
6
5



8 A 98GC BG5F9 B B7 -9G1 B@GGC H:9K 69GD97 +98Z HC @F 5B7 9G5F9. B97 A 5@B7 < HC @	L.....+% "LL.....+%"\$% "LLL.....+%"\$\$% "LLL.....+%"\$\$\$
5B: I @F ± *) 6F95? 7 C FB 9FG "\$\$)!\$&\$: @9HF5 B = "\$\$)!\$&\$	
A 5HF 5@	BHF DF 9H8F5K B: D9F 5BGHM("%SSI&SS
: BG:	H: F8 5B: @9 G99 97 C: CF 8F5K B: 5DDFC J 5@G

Bell Everman © 2009 Bell & Howells

G6F!&\$\$! ((D! 8B!%?!LL!<G\$! B'
89@ 9F56@5CG9A 6@M

GAD 8F5K B: 'BC" %\$(*)!\$\$&
 6

G7 5@. % (G: 99H % C: %

BC H9G