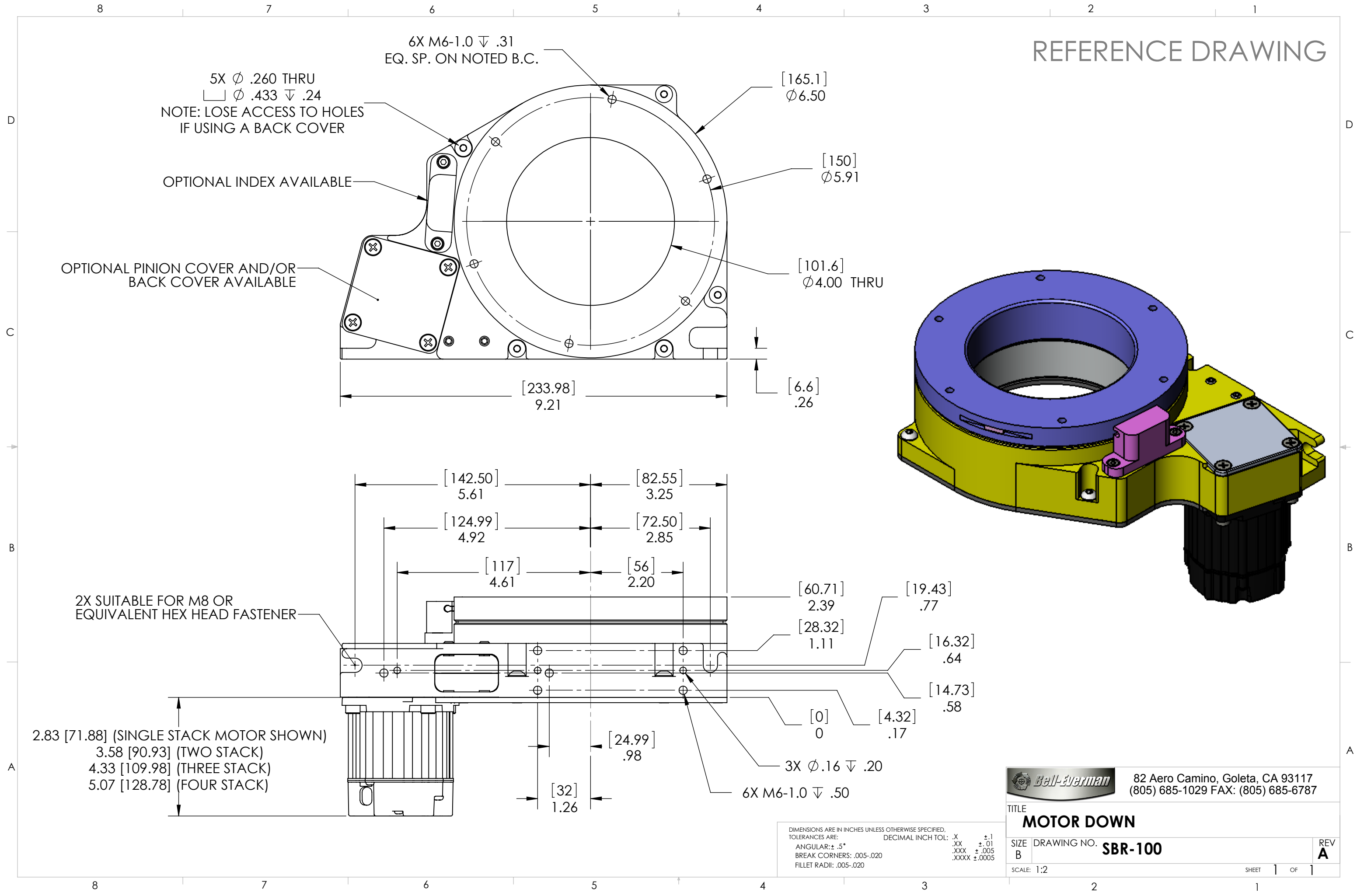


REFERENCE DRAWING



5X Ø .260 THRU
 □ Ø .433 ▽ .24
 NOTE: LOSE ACCESS TO HOLES
 IF USING A BACK COVER

6X M6-1.0 ▽ .31
 EQ. SP. ON NOTED B.C.

OPTIONAL INDEX AVAILABLE

OPTIONAL PINION COVER AND/OR
 BACK COVER AVAILABLE

2X SUITABLE FOR M8 OR
 EQUIVALENT HEX HEAD FASTENER

2.83 [71.88] (SINGLE STACK MOTOR SHOWN)
 3.58 [90.93] (TWO STACK)
 4.33 [109.98] (THREE STACK)
 5.07 [128.78] (FOUR STACK)

DIMENSIONS ARE IN INCHES UNLESS OTHERWISE SPECIFIED.
 TOLERANCES ARE:
 ANGULAR: ± .5°
 BREAK CORNERS: .005-.020
 FILLET RADII: .005-.020

DECIMAL INCH TOL: X ±.1
 XX ±.01
 .XXX ±.005
 .XXXX ±.0005

		82 Aero Camino, Goleta, CA 93117 (805) 685-1029 FAX: (805) 685-6787	
TITLE			
MOTOR DOWN			
SIZE	DRAWING NO. SBR-100		REV
B			A
SCALE: 1:2		SHEET 1 OF 1	