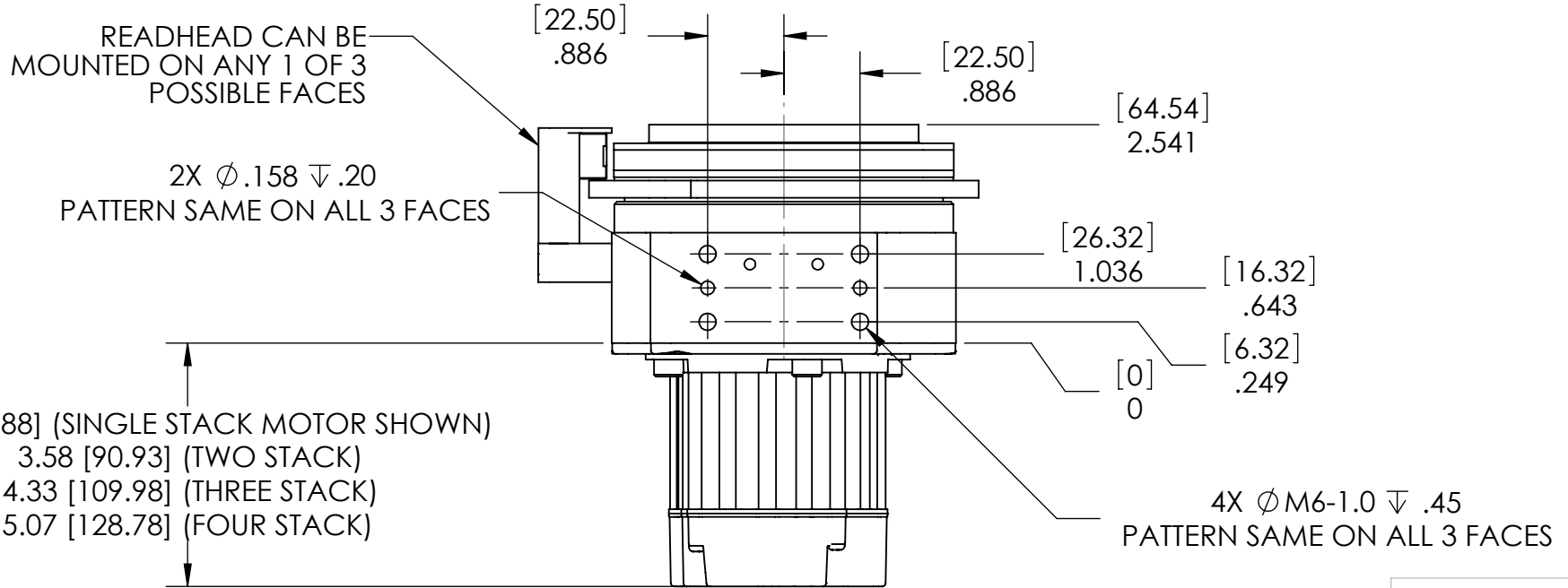
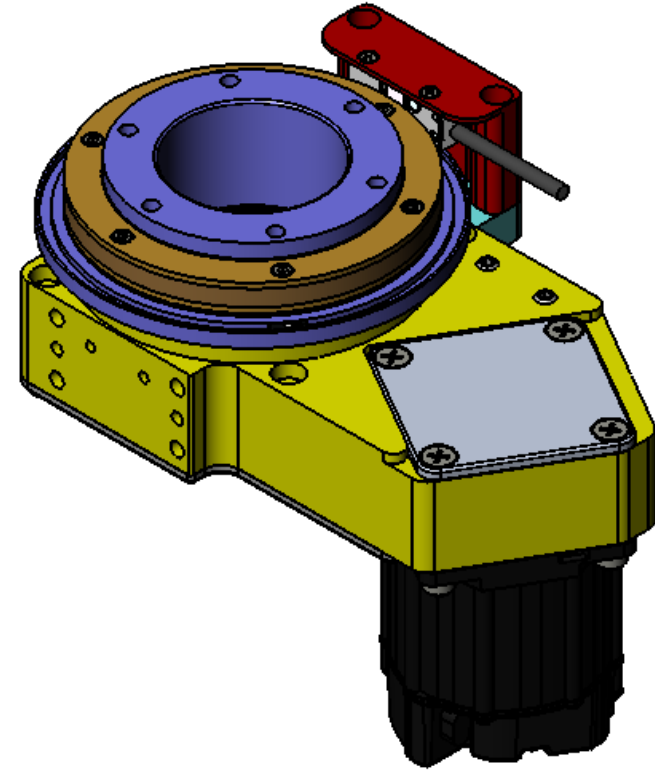
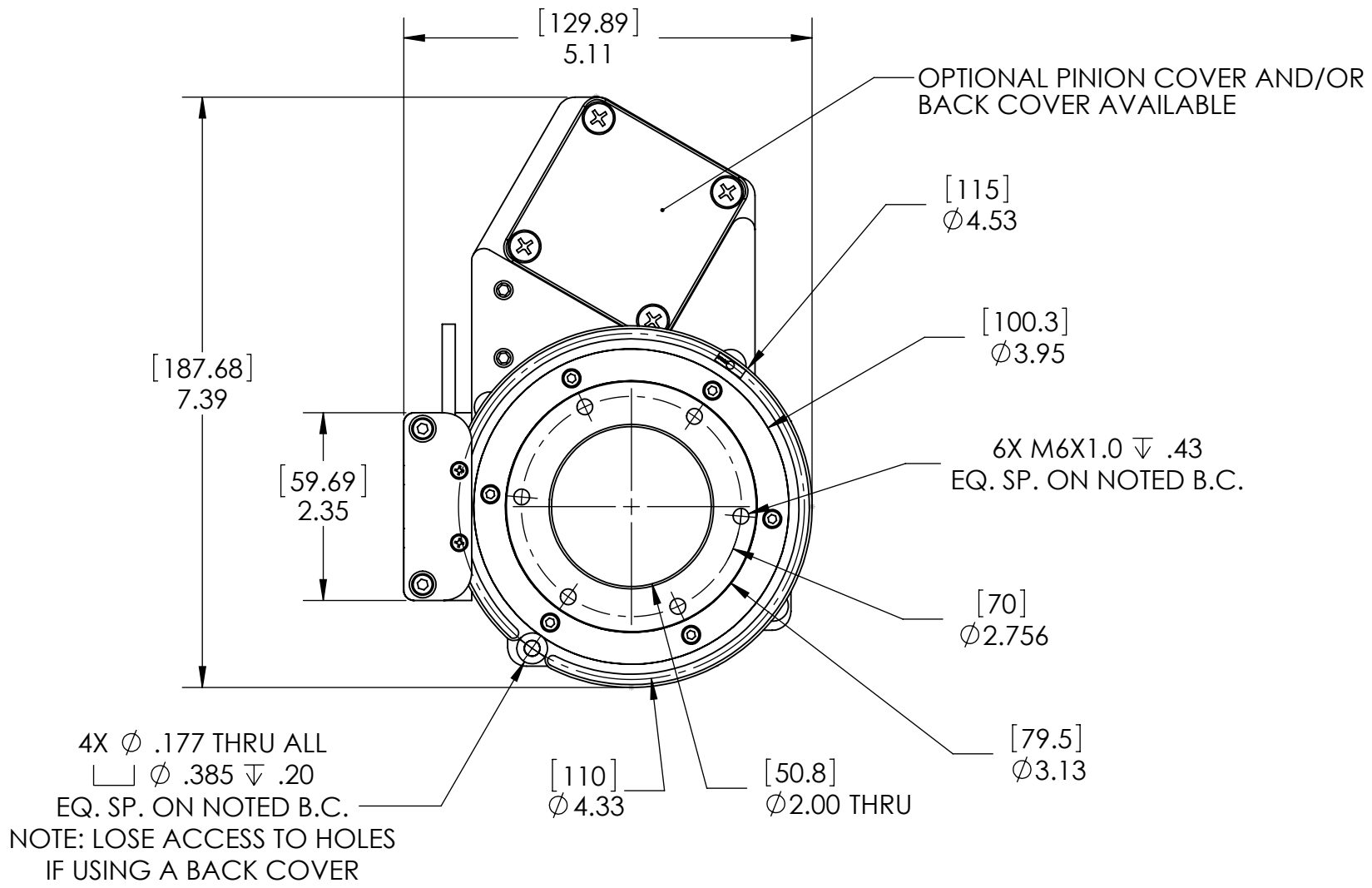


REFERENCE DRAWING



DIMENSIONS ARE IN INCHES UNLESS OTHERWISE SPECIFIED.
TOLERANCES ARE: DECIMAL INCH TOL: .X ±.1
.XX ±.01
ANGULAR: ±.5° .XXX ±.005
BREAK CORNERS: .005-.020 .XXXX ±.0005
FILLET RADII: .005-.020

		82 Aero Camino, Goleta, CA 93117 (805) 685-1029 FAX: (805) 685-6787	
TITLE MOTOR DOWN RING ENCODER			
SIZE B	DRAWING NO. SBR-50		REV A
SCALE: 1:2		SHEET 1 OF 1	